

Technical data sheet

Fold fastening

Item number: 5408992



- To fasten a GFK rod on constructions of 4 to 20 mm
- Dimension D Ø: 16 mm

A2 Stainless steel

Master data

Item number	5408992
Type	101 F-16
Description 1	Iso-Combi
Description 2	fold fastening
Manufacturer	OBO
Dimension	180x60x60
Material	Stainless steel
Smallest sales unit	1
Unit of quantity	Piece
Weight	45.12 kg
Weight unit	kg/100 pc.

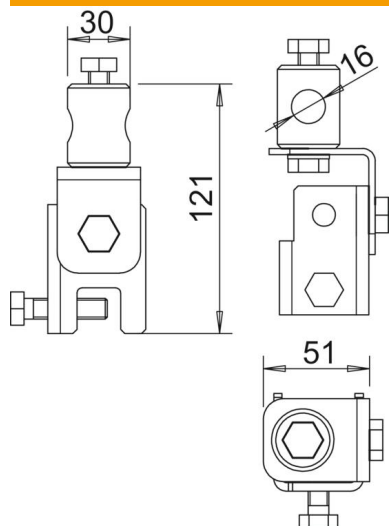
Technical data sheet

Fold fastening

Item number: 5408992



Dimensions



Dimension B	51 mm
Dimension d min.	30 mm
Dimension d Ø	16 mm
Dimension L	121 mm

Technical data

Clamping range, max.	20 mm
Clamping range, min.	4 mm